



# CLASSIC ENTERPRISE



**+91 99251 88491**



[www.classicent.info](http://www.classicent.info)



[info@classicent.info](mailto:info@classicent.info)

[sales@classicent.info](mailto:sales@classicent.info)

Manufacturing of All Types ■ Bending Punch & V Die  
Punching Die ■ Emboss Die ■ Angle Cutting Die  
Pillar Bush Die Set ■ Pin Bush ■ Dowel Pin ■ Punches  
Press Brake Tooling Clamps ■ Die Holder

## MATERIAL GRADE

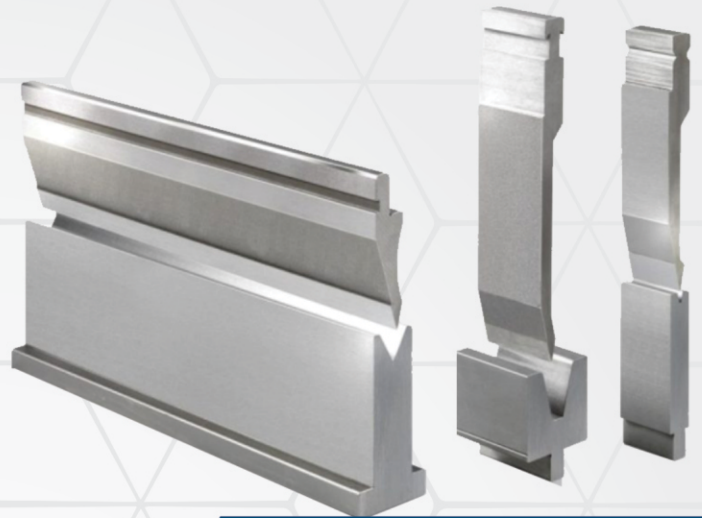
MS, WPS, EN31, OHNS, EN8, EN24, D2, P20



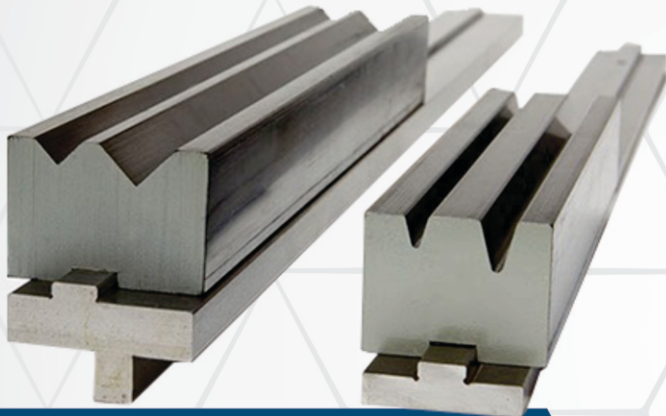
R. S. No. 167, Plot No. 8, Shivam Ind. Area, Near Ramdev Ind.,  
Gondal Road, Kothariya, Rajkot - 360 002. (Gujarat)



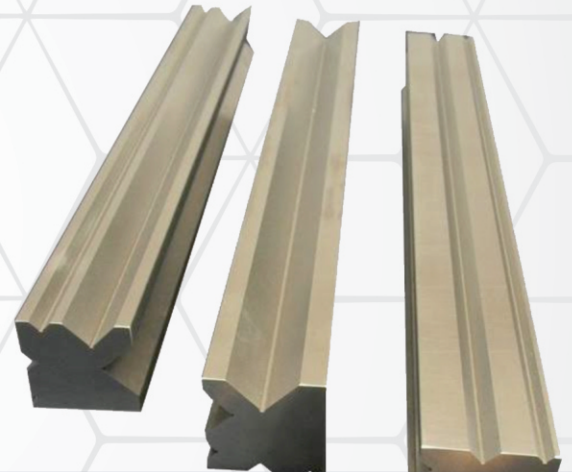
**Bending Punch with Holder & Clamp**



**Bending Punch & Die**



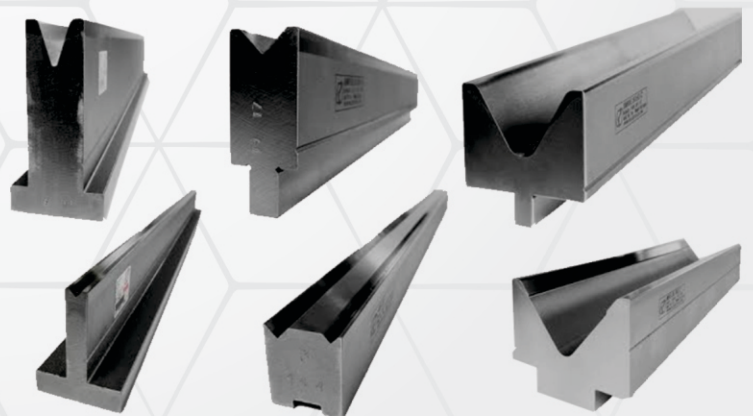
**Bending Die With Base**



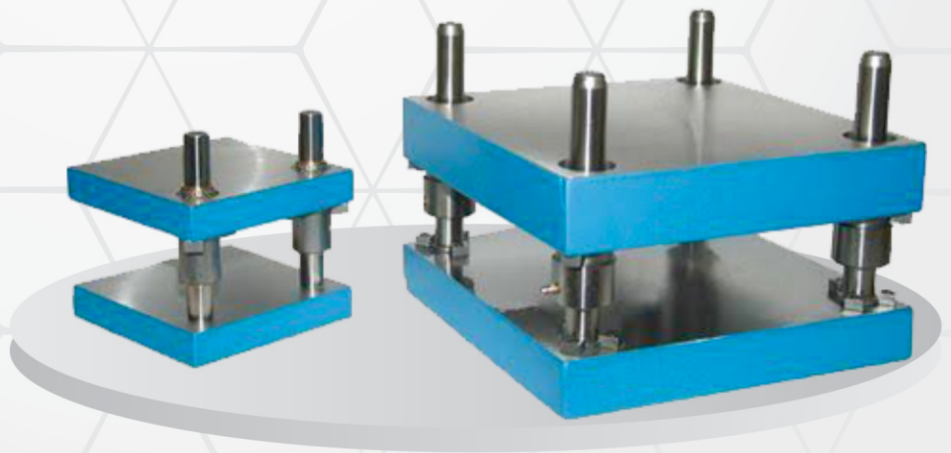
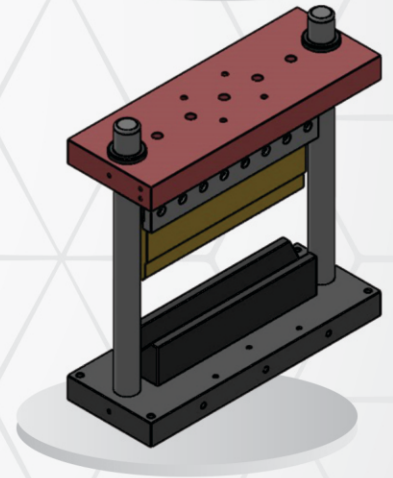
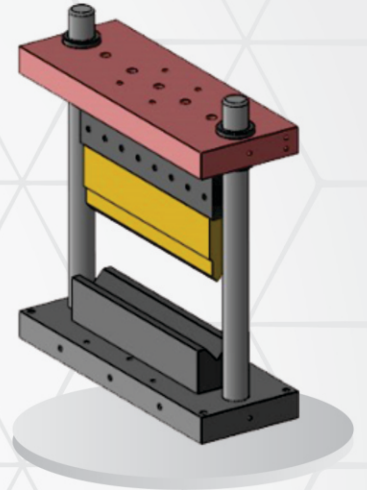
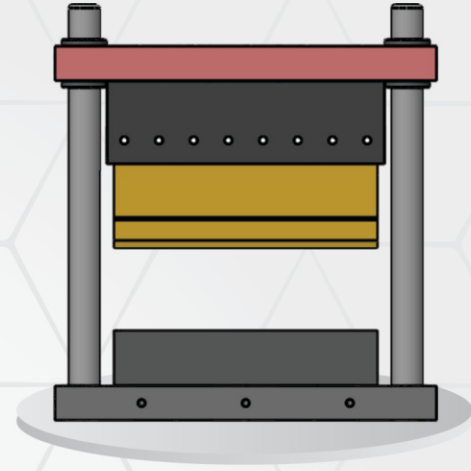
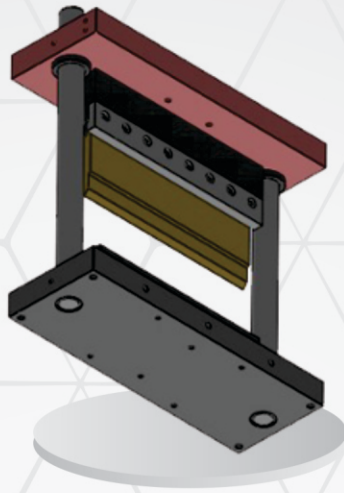
**Multi Bending V Die**



**Multi V Die with Block & Base**



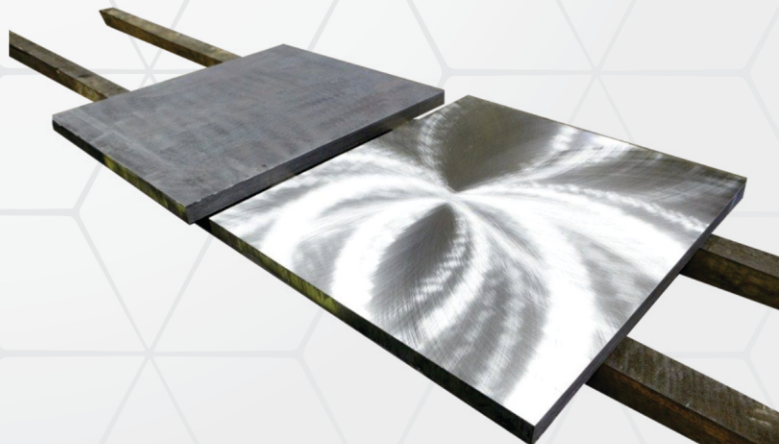
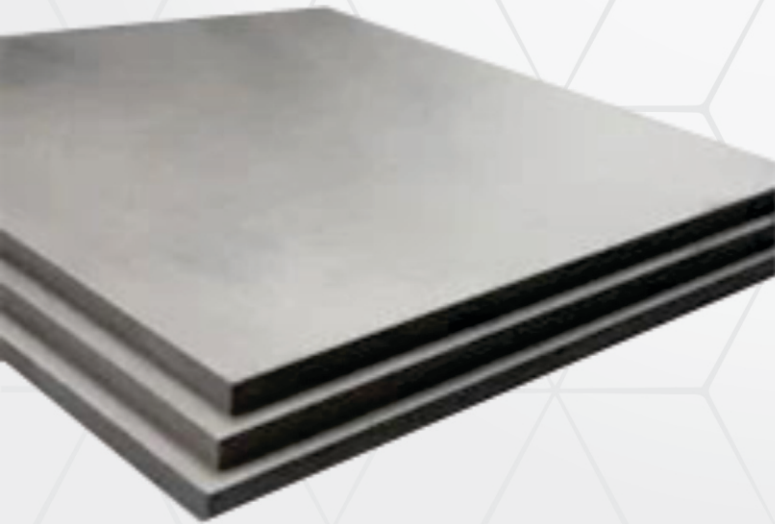
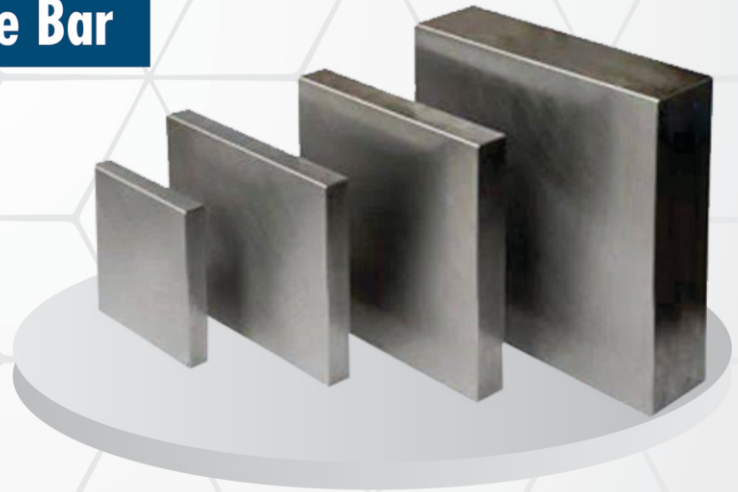
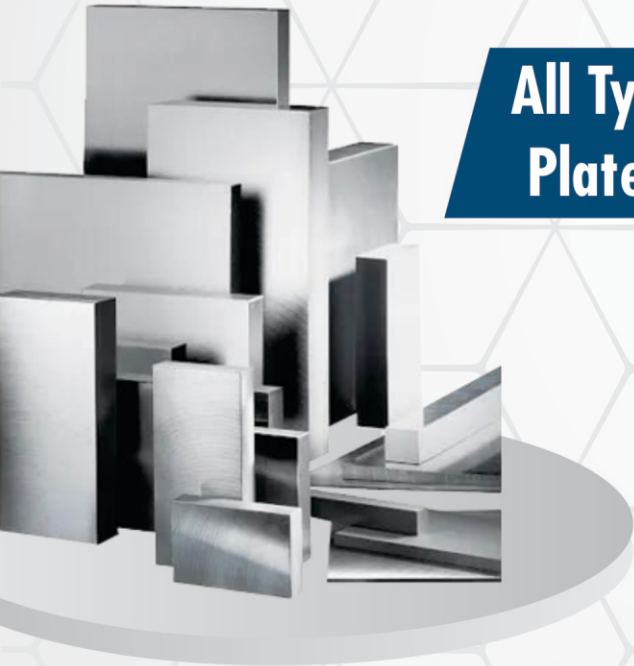
**All type of Bending Die For Press**



**Fully Bending Fixture with Die & Punch**

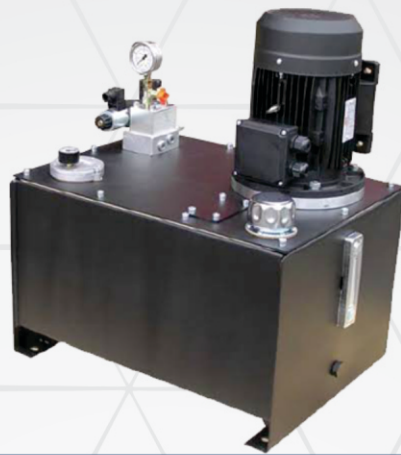


**All Type of Pin Bush,  
Plate & Square Bar**





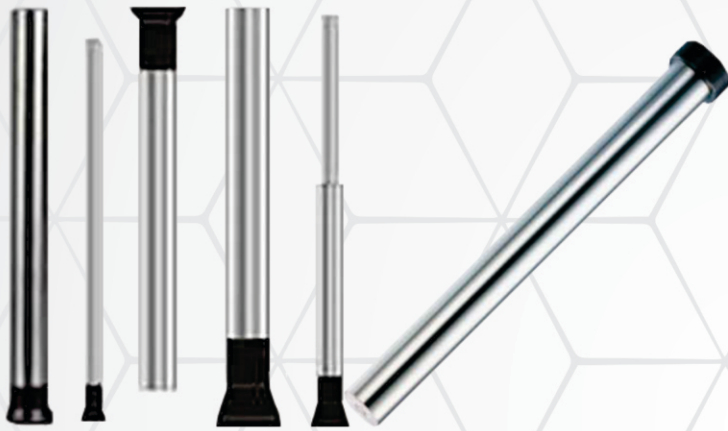
**HYDRAULIC CYLINDER**



**HYDRAULIC POWER PACK**



**TMT Joint Coupler**



**PIERCING PUNCHES**



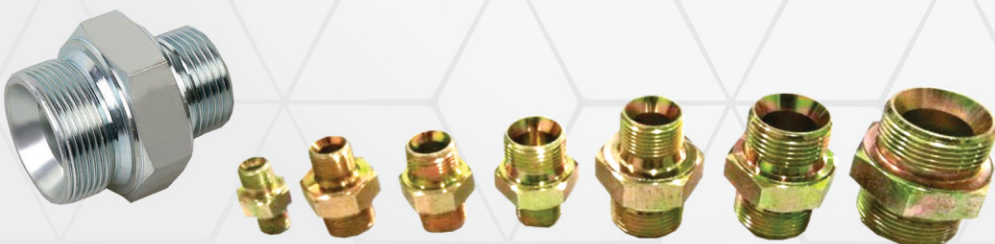
**TMT JOINT COUPLER**



**EN31 SHAFT**



**EN8 SHAFT**



**HYDRAULIC HEX NIPPLE**

